

TECHNICAL DATA/SPECIFICATION

MODEL: SRE-2010 ELECTRA-RIDE ELITE
 RATED LOAD: 400 LBS, ONE PASSENGER
 POWER SOURCE: 24 VOLT DC COMPRISED OF (2) 7 AMP/HR
 12 VOLT SEALED BATTERIES
 110 VOLT AC 1.5 AMP, 24 VOLT DC 2 AMP
 CONTINUOUS MONITORING CHARGER.

DRIVE: 24 VOLT DC DIRECT DRIVE GEAR-MOTOR, 2 POLE
 RATED .68 HP, 58:1 RIGHT ANGLE SELF LOCKING
 GEARBOX, 41.5 RPM NO LOAD RPM OUTPUT SPEED.
 SUSPENSION: RACK & PINION - INTEGRATED 8DP GEAR RACK
 ON RAIL WITH A SPUR GEAR ON THE OUTPUT
 SHAFT OF THE GEAR BOX.

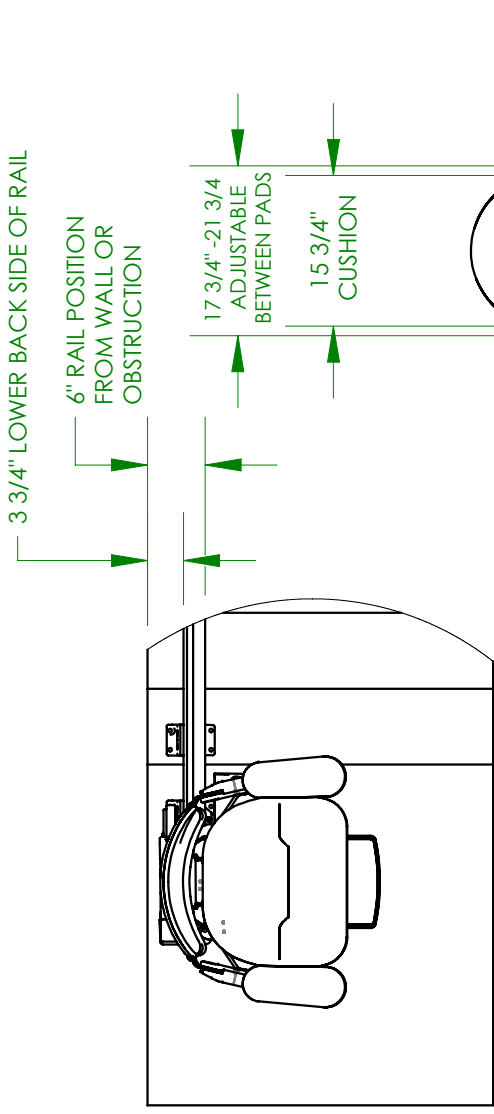
BRAKING: DYNAMIC MOTOR BRAKING THROUGH THE MOTOR
 CONTROLLER, SELF LOCKING WORM GEAR, AND
 ELECTRO-MECHANICAL MOTOR BRAKE.

CONTROLS: CONTINUOUS PRESSURE ROCKER SWITCH LOCATED
 ON THE ARM REST AND WALL MOUNTED CALL/SEND
 CONTROLS LOCATED AT BOTH THE TOP AND BOTTOM
 LANDINGS.

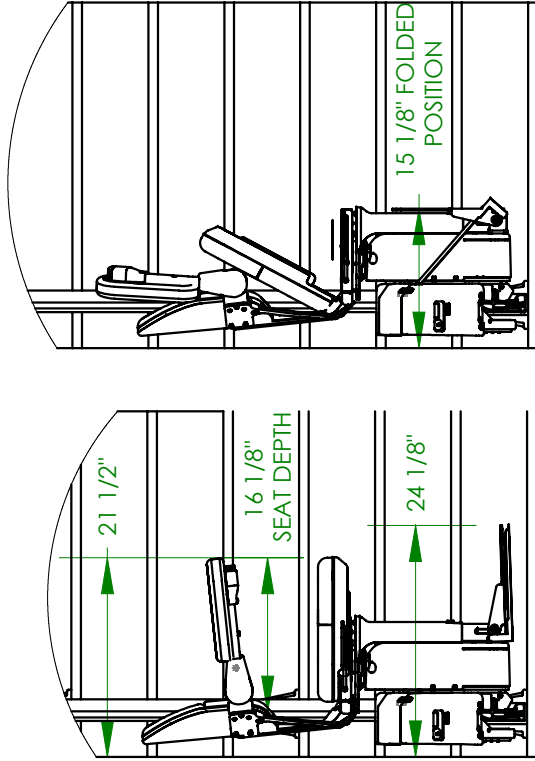
ANGLES: 0 TO 45 DEGREES (SPECIALS UP TO 50 DEGREES) RIGHT
 OR LEFT HAND ORIENTATIONS.

FINAL LIMIT SWITCH STANDARD
 OPTIONS:

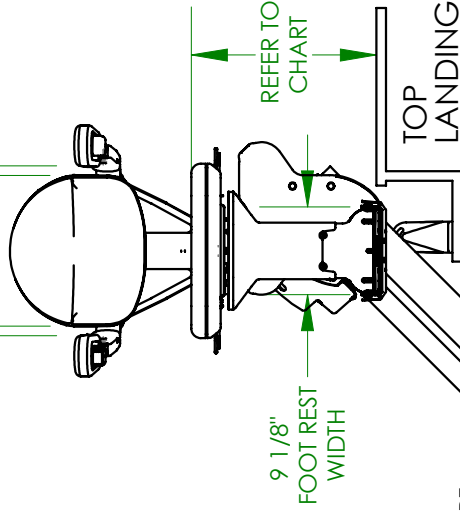
- 1) KEYED CALL/SEND CONTROLS,
- 2) KEYED CONTROL ON CHAIR,
- 3) COMMERCIAL PACKAGE W/OVERSPEED SAFETY BRAKE.



TOP VIEW

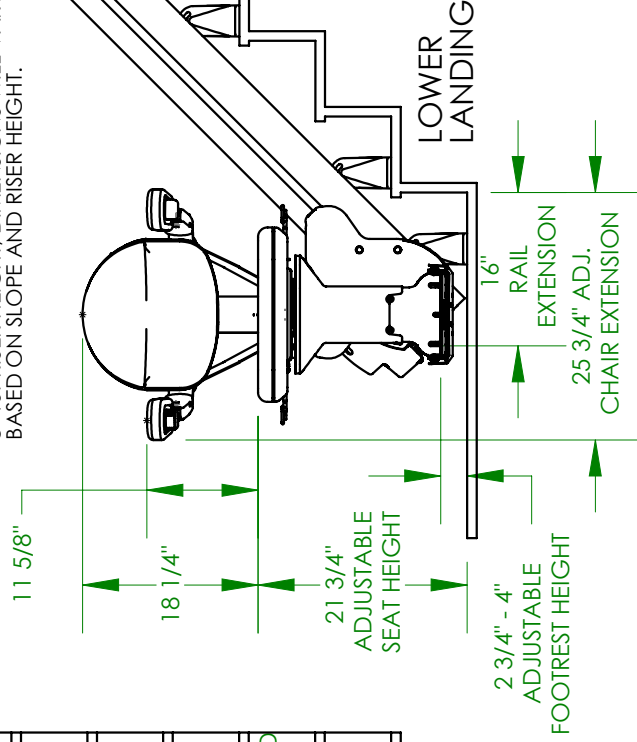


SIDE VIEWS



ELEVATION VIEW

LOWER LANDING EXTENSION DIMENSIONS ARE
 BASED ON 45 DEGREE RAIL SLOPE ON AN
 8" 1ST RISER HEIGHT, DIMENSIONS WILL VARY
 BASED ON SLOPE AND RISER HEIGHT.

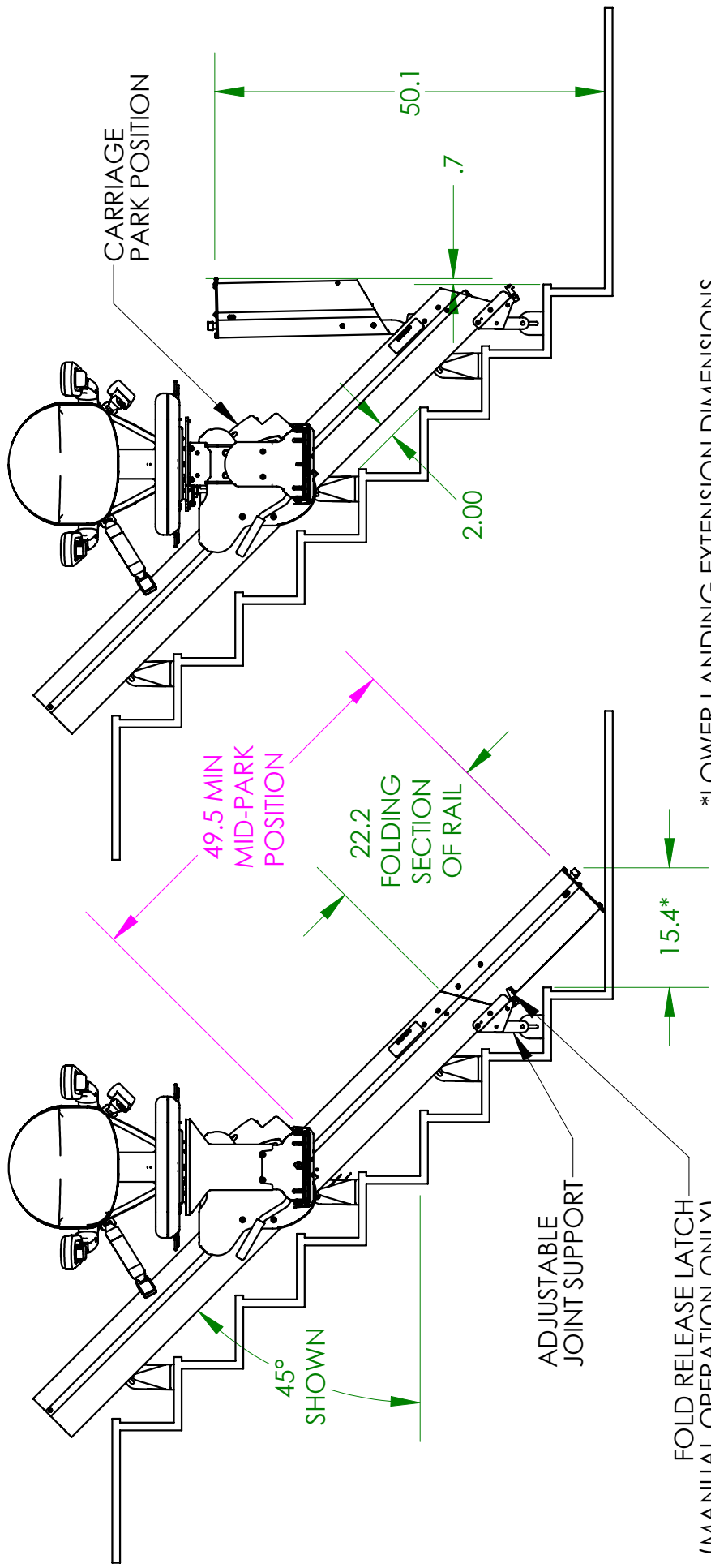


SRE-2010 FOLDING RAIL

POWER & MANUAL FOLDING RAILS

AUXILIARY
ELEVATION VIEW
RAIL FOLDED
DOWN POSITION

AUXILIARY
ELEVATION VIEW
RAIL FOLDED
UP POSITION



*LOWER LANDING EXTENSION DIMENSIONS ARE BASED ON 45° RAIL SLOPE AND 8" RISER HEIGHT. DIMENSIONS WILL VARY BASED ON SLOPE AND RISER HEIGHT.